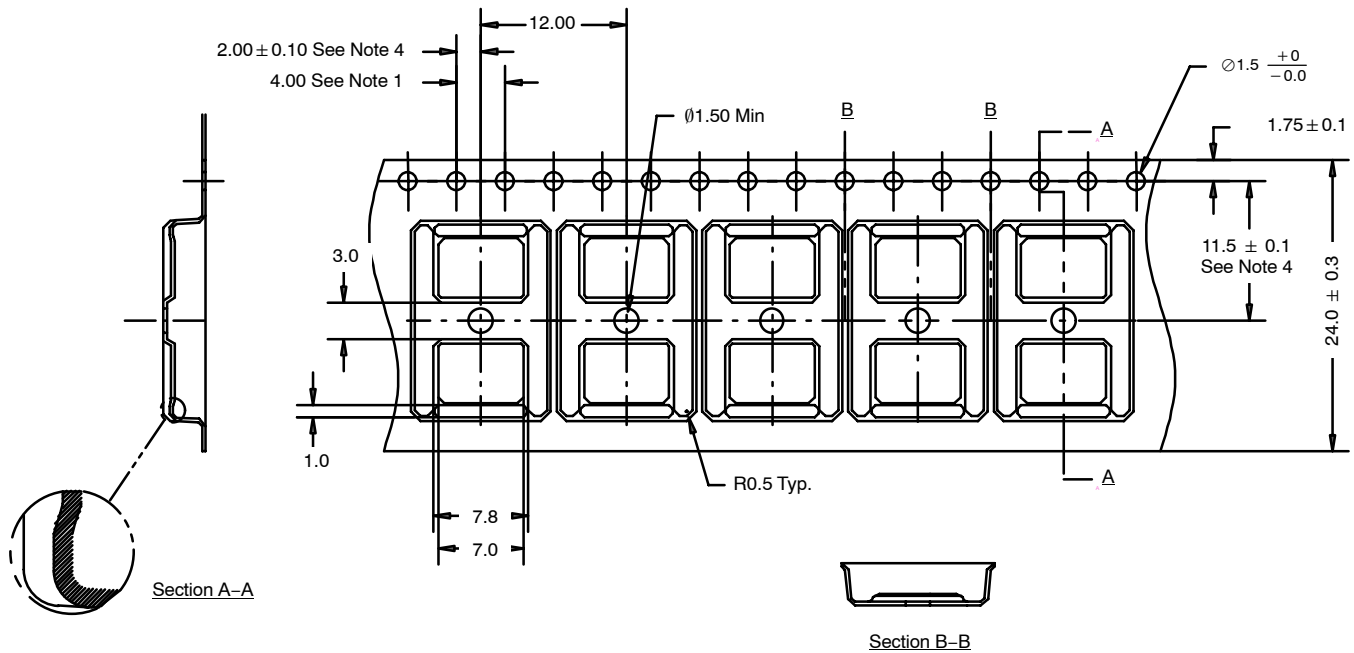




**QSOP: 36-LEADS**



NOTES:

1. 10 sprocket hole pitch cumulative tolerance ± 0.2.
2. Camber not to exceed 1 mm in 100 mm.
3. Material: Static dissipative black Advantek polystyrene.
4. Pocket position relative to sprocket hole measured as true position of pocket, not pocket hole.
5. All sizes in mm unless specified.
6. Tolerance: .x ± 0.2; .xx ± 0.1.

QUANTITY PER REEL	
T1	1600
ECN: T-04383—Rev. A, 28-Jun-04 DWG: 93-5242-x	